

Installation page 1

Check that all the parts have been included in the consignment.

Limeteq Base consists of a Limeteq Base unit and two mounting brackets with accompanying locking clips.

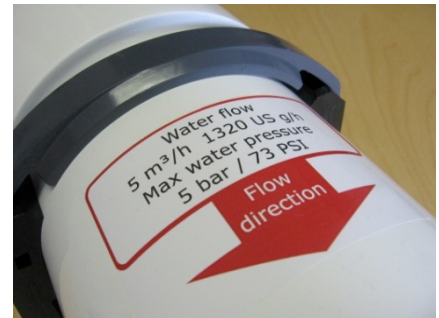
Find a location to install Limeteq Base.

The Limeteq Base unit shall, if possible be mounted vertical with the water flow going from bottom to top.

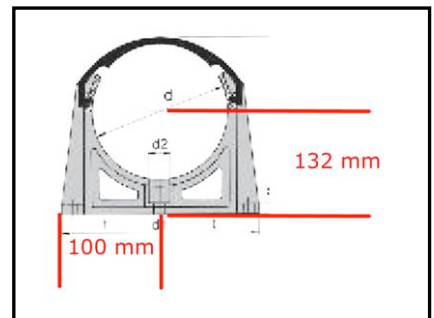


The water pressure in the pipe where Limeteq Base is to be mounted must be a maximum of 5 bar/73 PSI.

If the water pressure exceeds 5 bar/73 PSI during individual pressure surges, a pressure regulator must be installed before the Limeteq Base unit.



Prepare the piping to Limeteq Base so that the centre of the pipe runs at a distance of 132 mm from the wall where the bracket is to be fitted and that there is a free surface of at least 100 mm above and below the centre of the pipe in the place where Limeteq Base is to be located.



Cut off the existing pipe where Limeteq Base is to be installed.

The Limeteq Base unit has union joints that are screwed onto the 1¼ inch external thread of the cut pipe.

Tighten and screw on the union joints' pipe connections to the threaded pipe ends.

Clean the connections once they have been installed so that dirt or metal burrs do not get into the Limeteq Base unit and clog up the flow channels .



Installation page 2

Grease the union joints' seals with tap lubricant or Vaseline.

Check that the Limeteq Base unit fits in the space selected. It should be possible to flex the pipe ± 10 mm.

If the space is too big or too small, adjust until the right dimensions are achieved.



Measure where the mounting brackets are to be installed.

Drill and plug the holes in the wall. When fitting to a plaster partition wall, use the appropriate attachments.

Install the brackets using 3 screws per mounting bracket.



Turn the Limeteq Base unit so that the stickers containing information about water pressure and flow direction are facing outwards and clearly readable.

Ensure that the water will flow in the direction of the arrow.

Press Limeteq Base into the mounting brackets, mount the locking clips and ensure that they hold the mounting brackets securely.



Check that both the union joints on the Limeteq Base are centered right opposite the connections on the pipe.

Connect both union joints on Limeteq Base to the corresponding connections on the pipe.

The Limeteq Base unit must not be suspended by its connections without mounting brackets.

See the Commissioning instructions for Limeteq Base.