

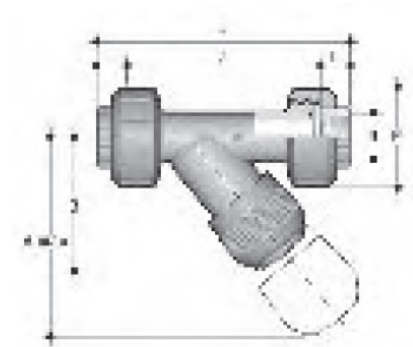


Fittings

Filter - RVUFT

If the water is polluted, a filter unit must be mounted before the device, to protect it from getting it's internal channels clogged.

The filter unit is mounted so that the flow direction through the filter goes in the direction of the arrow.



Soft closing solenoid valve - 200205N

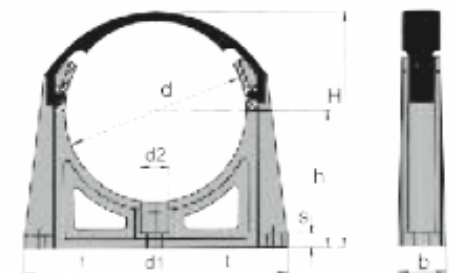
The system develop strong forces. To protect the system, a soft closing solenoid valve must be fitted.

A soft closing solenoid valve is a requirement for the guarantee on the system when turning off the water automatically.



Mounting bracket - ZIE140

The system develop strong forces. It must be mounted in it's mounting brackets and is not allowed to hang in it's connectors.



Pressure reducing valve - DMV755

The pressure must not exceed 5 bar/73 PSI. If the pressure is higher a pressure reduction valve must be mounted before the device. The pressure range is 1-9 bar.

A pressure reduction valve is a requirement for the guarantee. The requirement applies if the pressure exceed 5 bar / 73 PSI.

