



# Installation page 1

Check that all the parts have been included in the consignment.

Realice Base consists of a Realice Base unit and two mounting brackets with accompanying locking clips.

Find a location to install Realice Base adjacent to the water point for the ice resurfacers.

The Realice Base unit shall, if possible be mounted vertical with the water flow going from bottom to top.



The water pressure in the pipe where Realice Base is to be mounted must be a maximum of 5 bar/73 psi and the water temperature must not exceed 20°C/68 F.

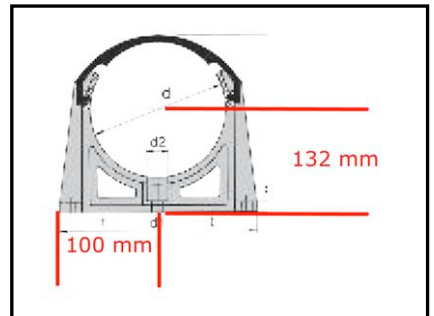
Realice Base may only be connected to a cold water pipe or a pipe where hot and cold water are mixed.



To ensure the correct temperature it is a good idea to install a thermostat before the Realice Base unit.

If a magnet valve is used to turn off the water, this must be a soft closing type and mounted before the Realice Base unit.

Prepare the piping to Realice Base so that the centre of the pipe runs at a distance of 132 mm from the wall where the bracket is to be fitted and that there is a free surface of at least 100 mm above and below the centre of the pipe in the place where Realice Base is to be located.



Cut off the existing pipe where Realice Base is to be installed.

The Realice Base unit has union joints that are screwed onto the 1¼ inch external thread of the cut pipe.

Tighten and screw on the union joints' pipe connections to the threaded pipe ends.

Clean the connections once they have been installed so that dirt or metal burrs do not get into the Realice Base unit and clog up the flow channels .



# Installation page 2

Grease the union joints' seals with tap lubricant or Vaseline.

Check that the Realice Base unit fits in the space selected. It should be possible to flex the pipe  $\pm 10$  mm.

If the space is too big or too small, adjust until the right dimensions are achieved.



Measure where the mounting brackets are to be installed.

Drill and plug the holes in the wall. When fitting to a plaster partition wall, use the appropriate attachments.

Install the brackets using 3 screws per mounting bracket.



Turn the Realice Base unit so that the stickers containing information about water pressure, temperature and flow direction are facing outwards and clearly readable.

Ensure that the water will flow in the direction of the arrow.

Press Realice Base into the mounting brackets, mount the locking clips and ensure that they hold the mounting brackets securely.



Check that both the union joints on the Realice Base are centered right opposite the connections on the pipe.

Connect both union joints on Realice Base to the corresponding connections on the pipe.

The Realice Base unit must not be suspended by its connections without mounting brackets.

**See the Commissioning instructions for Realice Base.**



# Installation page 3

## **Realice unit**

Mount vertical with flow direction going from bottom to top

**Soft closing magnet valve**  
(if installed)

**Filter**  
(if installed)

**Pressure reduction valve**  
(if installed)

